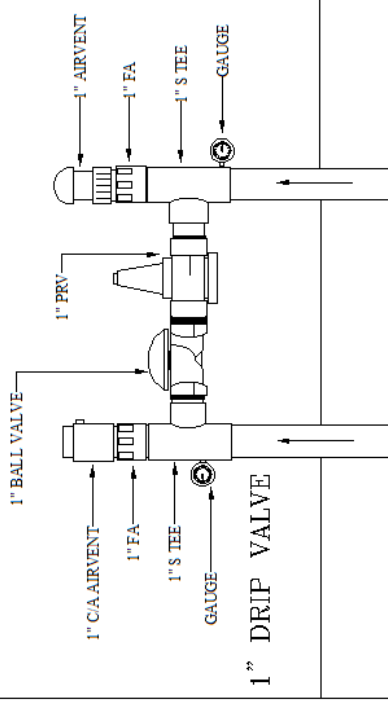
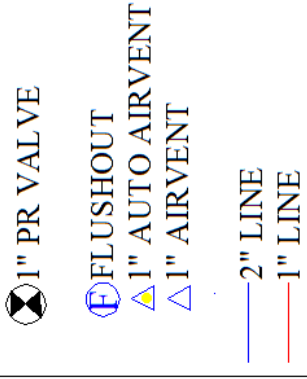


TOTAL NET ACRES: 1.63
 TOTAL VINES: 2,205
 TOTAL GPM: 42
 VINE SPACING: 8' X 3'
 VINES/AC.: 1,815
 GPM/AC.: 33.3
 EMITTER TYPE: 1/2 GPH WPC/2 PER VINE
 APPLICATION RATE: .073 IN PER HOUR

BLOCK C
 ACRES: .29
 VINES: 527
 GPM: 10.0

BLOCK A
 ACRES: .67
 VINES: 1,219
 GPM: 23.0

BLOCK B
 ACRES: .67
 VINES: 1,219
 GPM: 23.0



OLIVERA CANYON

SCALE: 1"=100'

